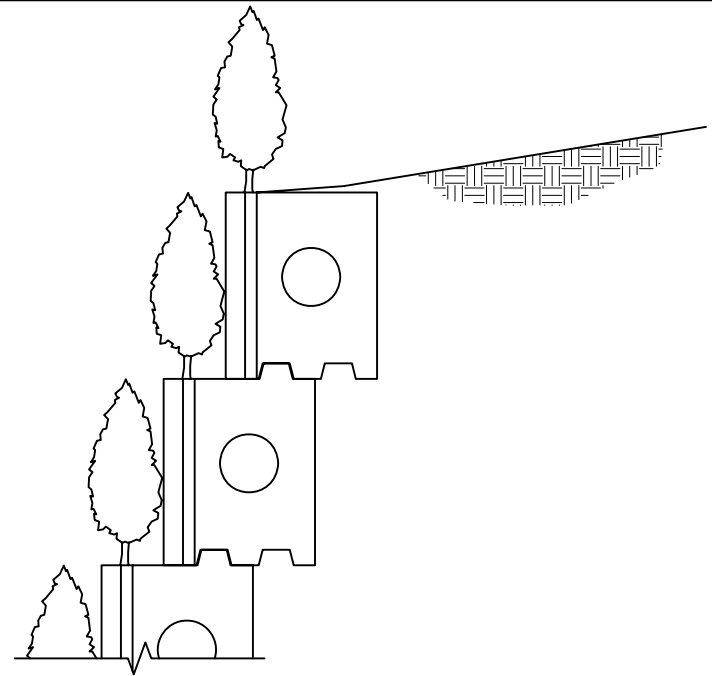
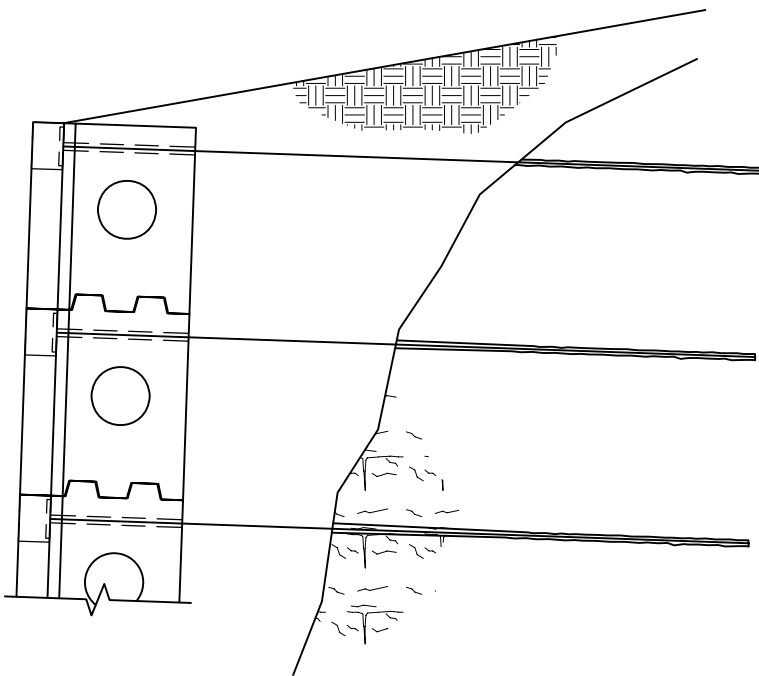


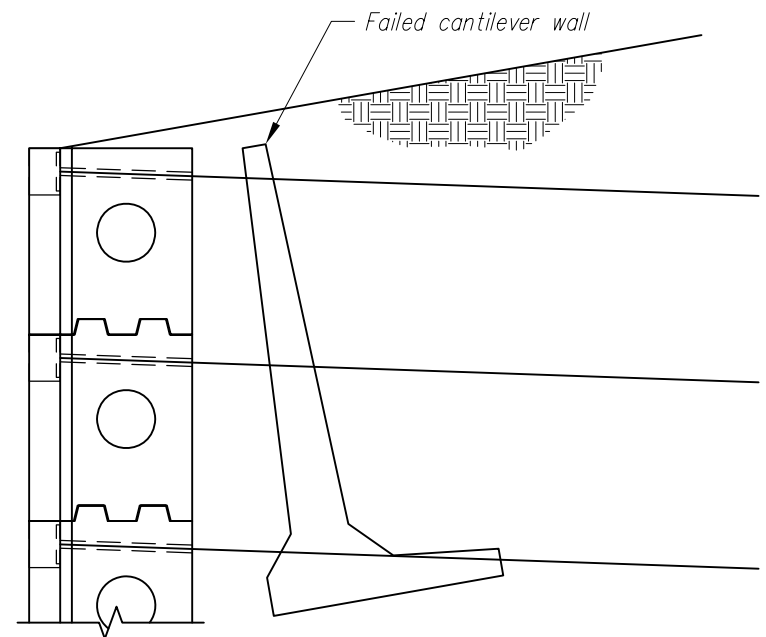
SINGLE UNIT STANDARD DIMENSIONS



U-WALL PLANTER SYSTEMS



U-WALL ROCK ANCHOR SYSTEMS



U-WALL TIE BACK SYSTEMS