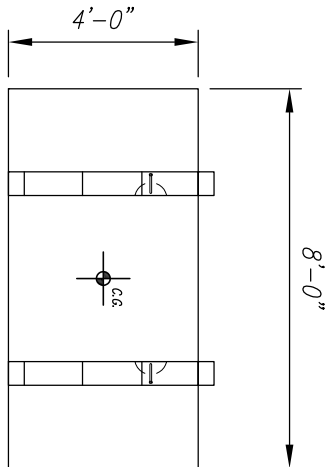
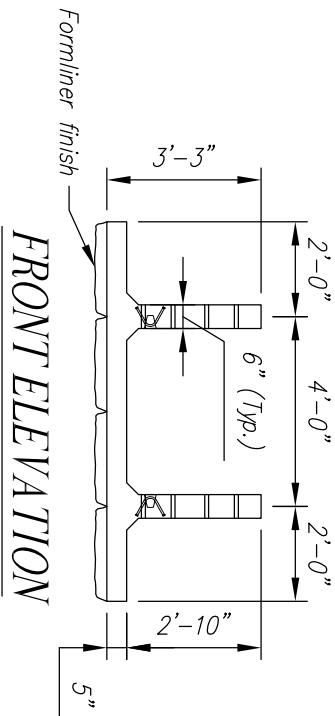


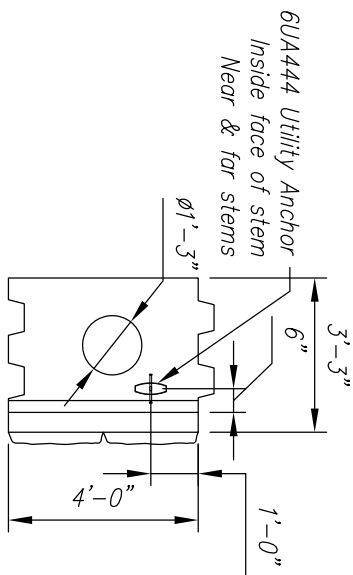
Note: Uwall to have Customrock
Pattern #1102-R2 Rectangular
Cut Stone formliner finish



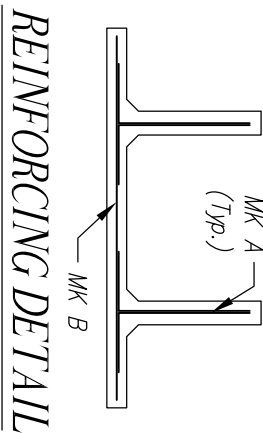
PLAN



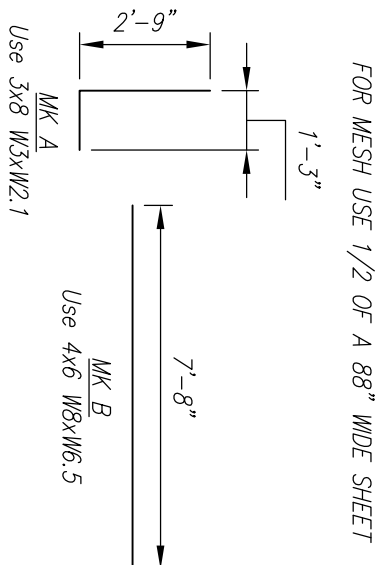
FRONT ELEVATION



SIDE ELEVATION



REINFORCING DETAIL



BENDING SCHEDULE

UW2.83FL-P1 - BILL OF MATERIALS / EMBEDS			
CSI ID#	DESCRIPTION	QTY	UM COMMENTS
STK-M0012	6" UTILITY ANCHOR - .444 DIAMETER - GA	2 EA	
RMI-M1003	3X8 W3XW2.1 93"X500' WIRE MESH ROLL	15.9 LB	TOTAL WEIGHT
RMI-M1004	4X6 W8XW6.5 88"X8' WIRE MESH SHEET	39.1	
MX-P1-FA4000WC	MIX DESIGN - FLY ASH 4000 WET CAST	1.03 CY	

STATE AGENCY

CSI
Concrete Systems Inc.
9 Commercial St., Hudson, NH, 03051
Phone 603-889-4163
Fax 603-889-2417

Drawn By: C VICK
Concrete Cu. Yd. 1.03
Date: 10/15/2014
Weight in Tons: 2.09

Drawing Title: STANDARD WALL UNIT DETAIL W/FORM LINER FINISH
Drawing No.: UW2.83FL-P1

Quantity: Project No:

SHEET 1 OF 1

REV 0