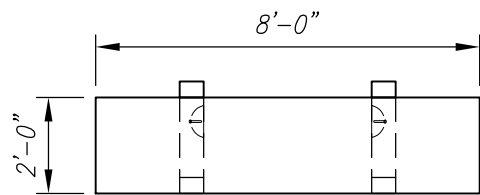
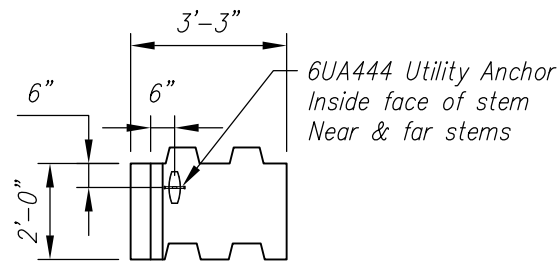


Standard 2' high unit weight
without extension is:
Plain finish: 0.94 tons
Formliner finish: 1.14 tons



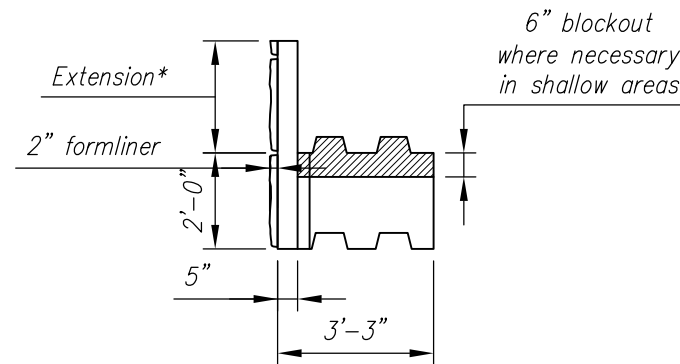
FRONT ELEVATION



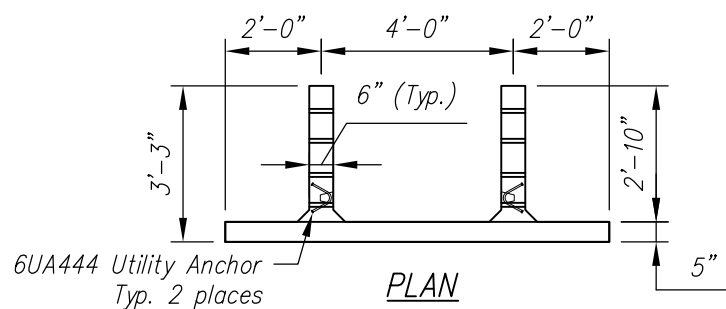
SIDE ELEVATION

STANDARD 2FT UNIT DETAILS

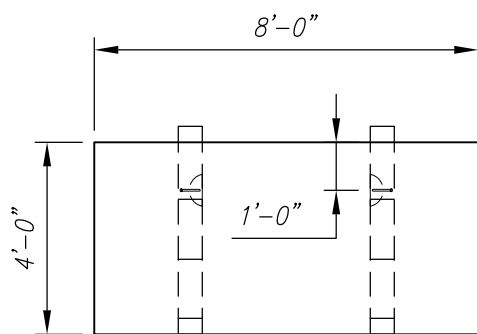
*NOTE: Extension height varies from 4" min. to 2'-4" max. Additional weight of extension = 0.33 tons/VF (with formliner) or 0.25 tons/VF (with plain finish).



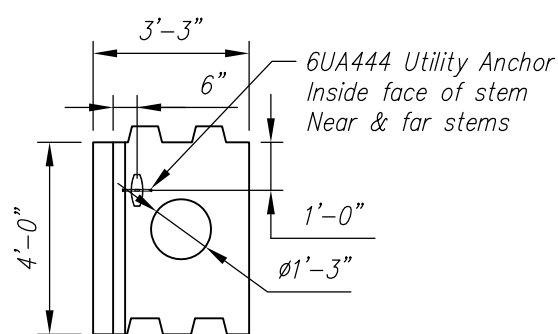
2FT UNIT WITH EXTENSION



Standard 4' high unit weight
without extension is:
Plain finish: 1.81 tons
Formliner finish: 2.11 tons



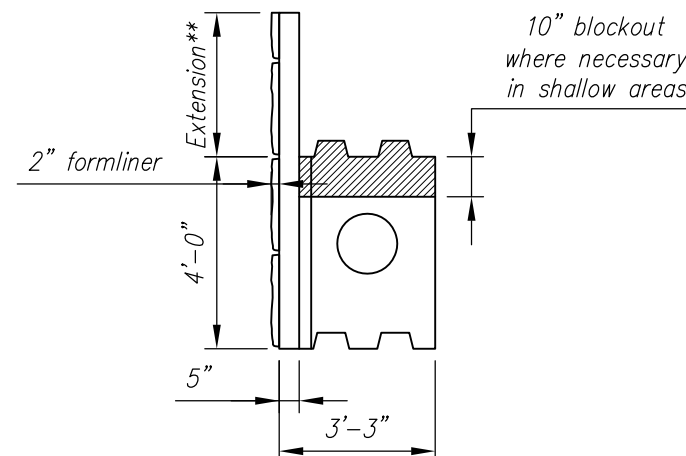
FRONT ELEVATION



SIDE ELEVATION

STANDARD 4FT UNIT DETAILS

**NOTE: Extension height varies from 4" min. to 3'-0" max. Additional weight of extension = 0.33 tons/VF (with formliner) or 0.25 tons/VF (with plain finish).



4FT UNIT WITH EXTENSION

PRECAST CONCRETE RETAINING WALL SYSTEM



5			
4			
3			
2			
1			
Rev.	Date	DESCRIPTION	By
REVISIONS			


Concrete Systems Inc.
 9 Commercial St., Hudson, NH, 03051
 Phone 603-889-4163
 Fax 603-889-2417

STATE AGENCY		----- ----- -----	
Drawn By A KOSTENKO Concrete Cu. Yd.	Date 08/28/2013 Weight in Tons	B	STANDARD UWALL DETAILS Drawing No. -----
Approved By -----	Date -----		Quantity: _____
		SHEET	OF 1